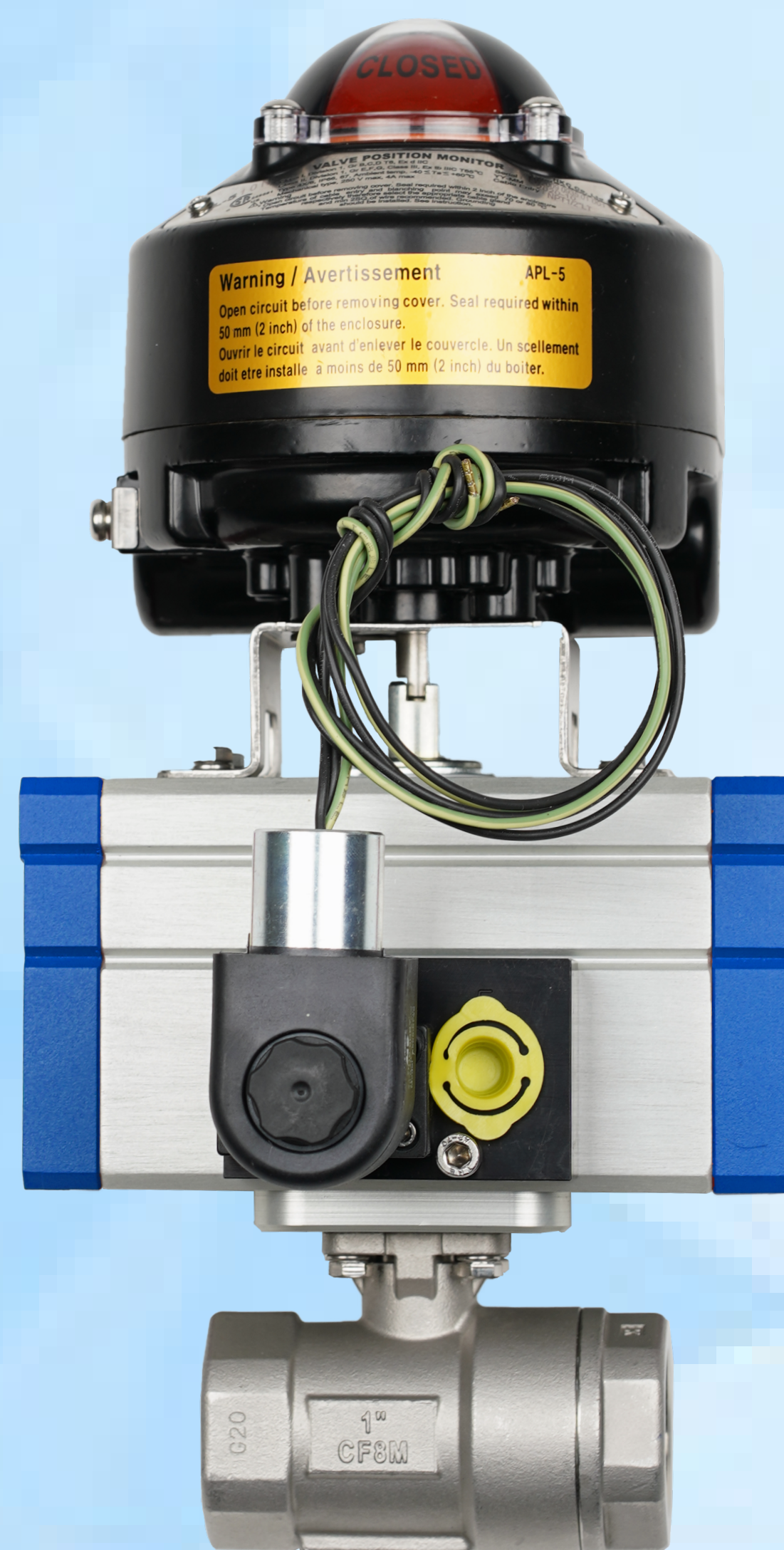
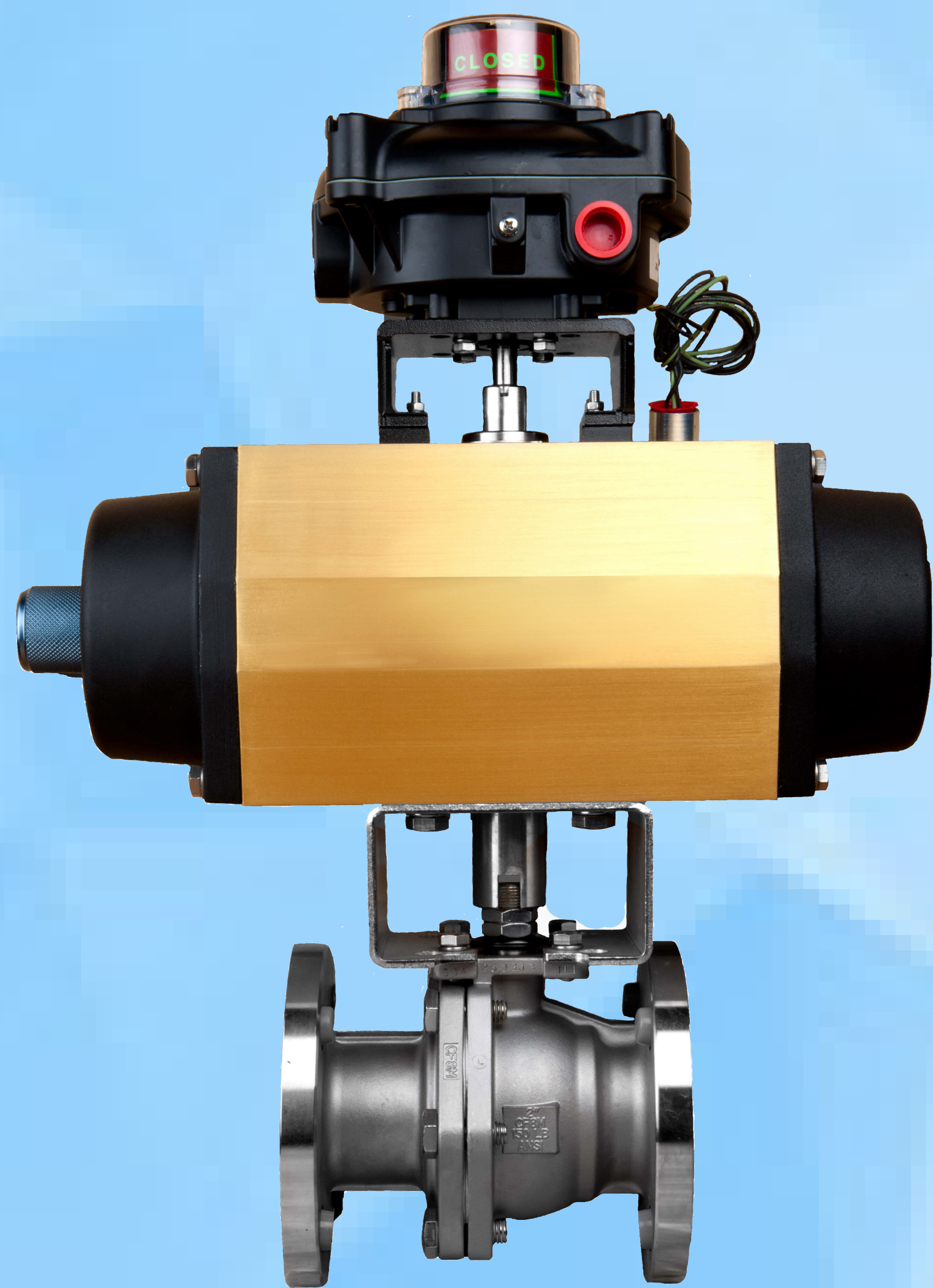


VCI[®] CSA Certified & FM Global Approved Emergency Safety Shut-Off Ball Valves



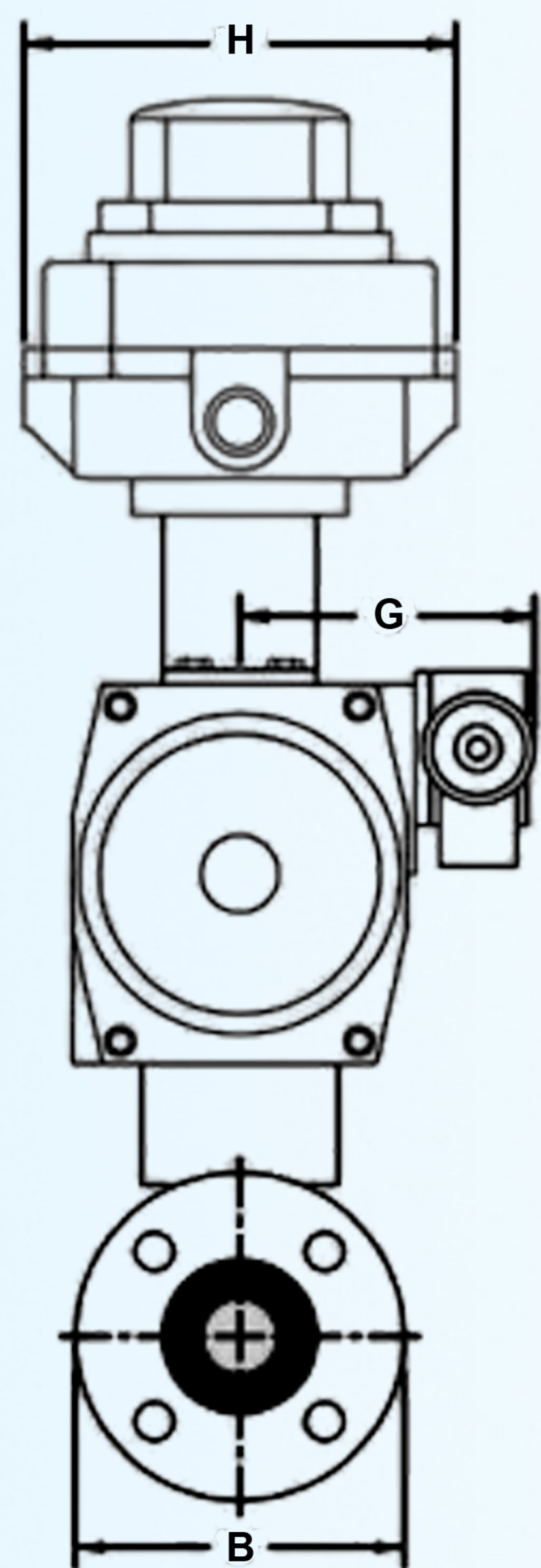
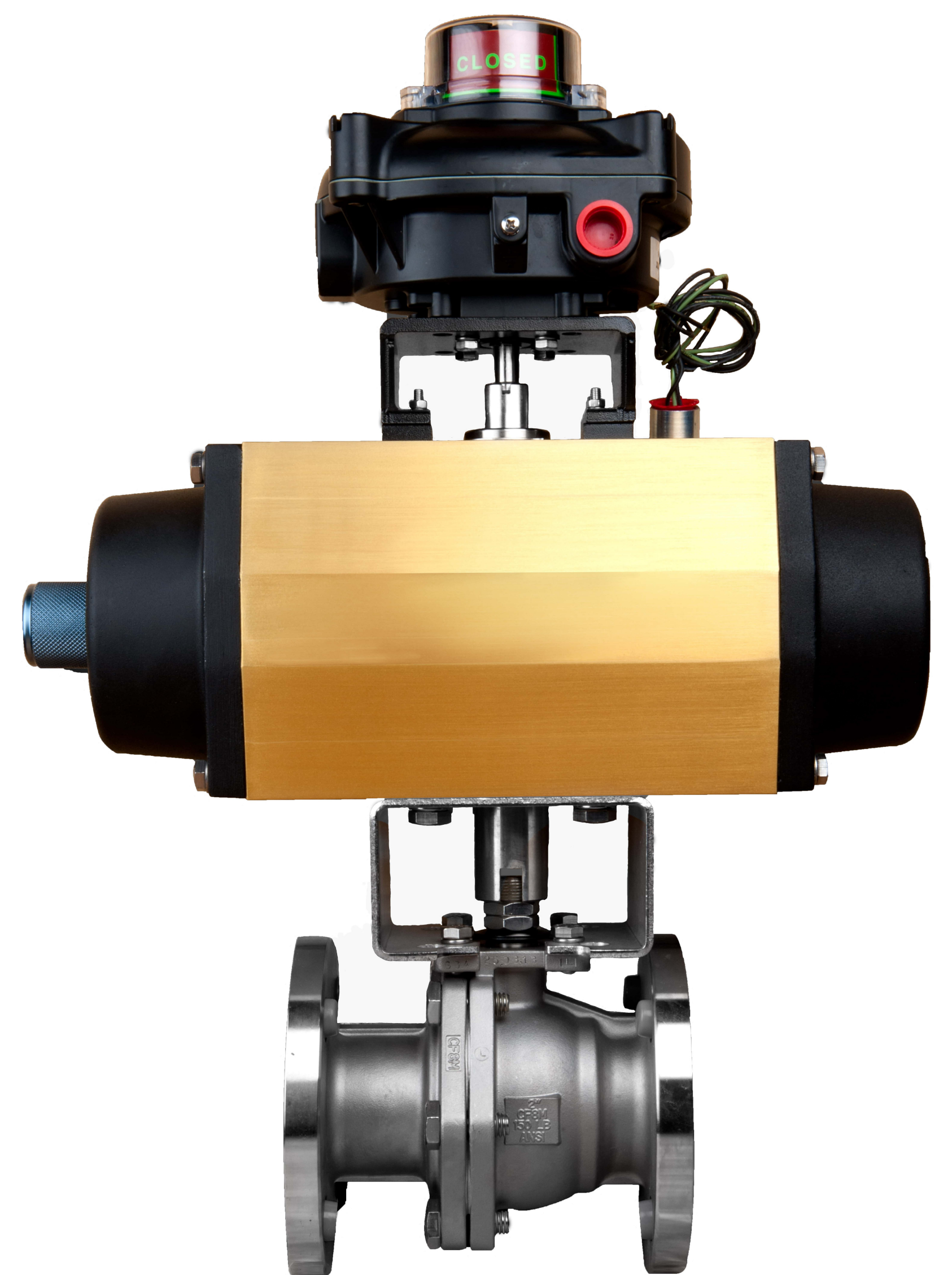
VCI[®] Series F200K Actuated Units

- CSA and FM Certified for -40°C to +65°C (-40°F to +149°F)
- Valve Sizes: ½” to 8”, Class 150# & 300# A.N.S.I
- Certified to 285 WOG for ½” – 4” & 125 WOG for 6” – 8”
- 2 piece body, Full Port
- Available in A351-CF8M, A216-WCB, A352-LCC/LCB and A395-Ductile Iron.
- I.S.O. 5211 Neck Pad
- RF, Flanged ends
- Blowout-proof stem & Adjustable stem packing
- Live loaded seats & stems
- Bi Directional & Uni Directional
- Fire Safe Certified, ANSI/API Standard 607, 6th Edition, 2010. ISO 10497-2010
- SIL 3 Certified by 3rd party organization: FSES
- Fugitive Emission Certified to ISO 15848-1 CO3 on select models

Manufactured & Tested to:

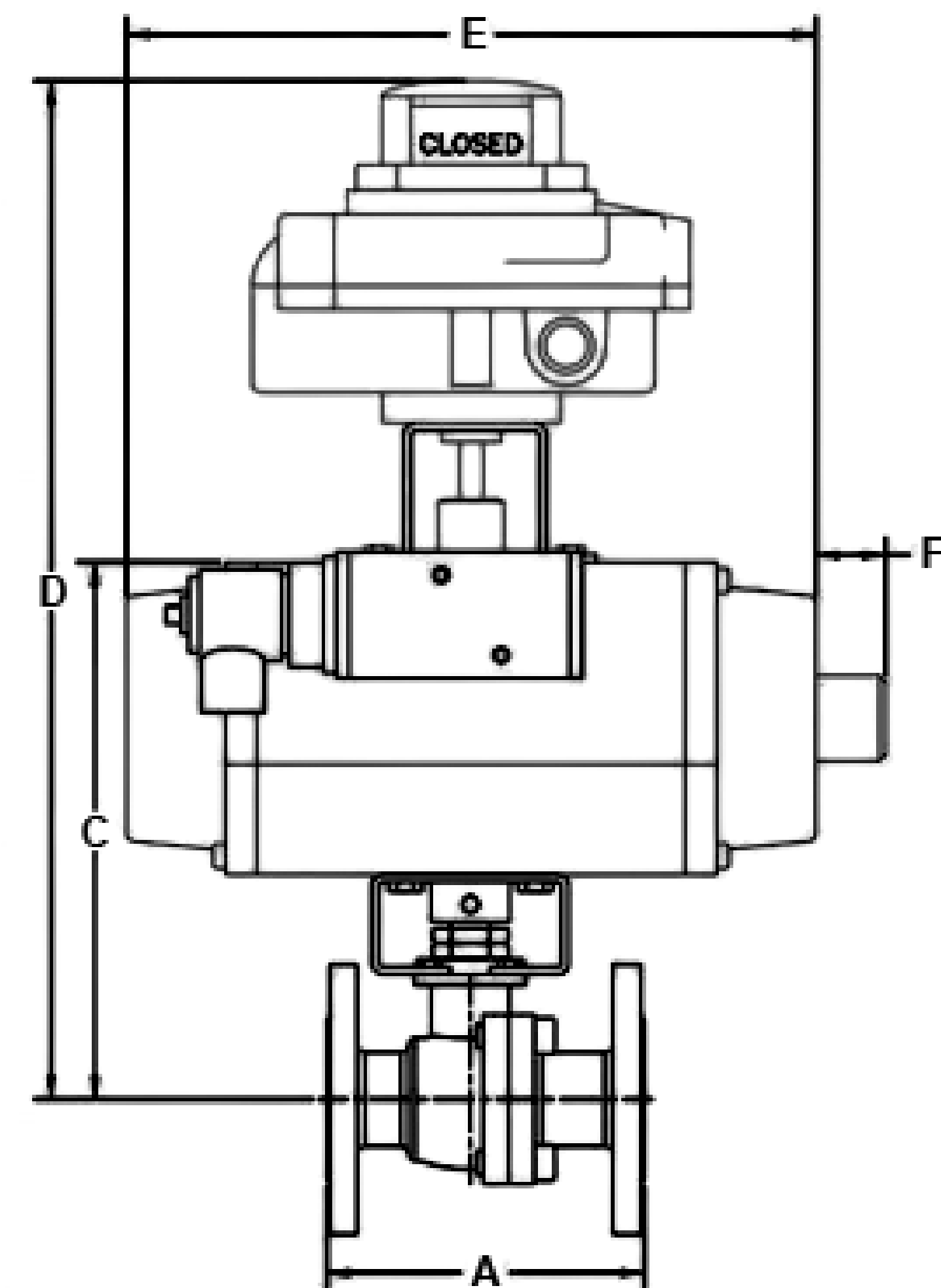
A.S.M.E. / ANSI B16.5, B16.34; MSS SP-72, API 608;

N.A.C.E. MR 0715; API 6D, API-598



Dimensions - Series F200K								
Valve Size	A	B	C	D	E	F	G	H
1/2	4.250	3.500	6.725	14.285	9.450	1.062	5.600	6.891
3/4	4.625	3.875	6.925	14.500	9.450	1.062	5.600	6.891
1	5.000	4.250	8.465	16.025	10.866	1.100	3.825	6.891
1 1/2	6.500	5.000	10.850	18.800	12.200	1.575	4.330	6.891
2	7.000	6.000	11.675	19.625	14.410	1.535	4.145	6.891
2 1/2	7.500	7.000	13.435	21.000	15.275	2.125	4.487	6.891
3	8.000	7.500	13.675	21.240	15.275	2.125	4.487	6.891
4	9.000	9.000	17.950	25.513	22.165	1.929	5.467	6.891
6	15.500	11.000	20.390	27.955	22.165	1.929	5.467	6.891
All dimensions in inches								
ANSI CLASS 150								

Dimensions - Series F200K								
Valve Size	A	B	C	D	E	F	G	H
1/2	5.50	3.75	6.85	13.88	9.45	1.06	4.61	5.50
3/4	6.00	4.63	7.30	14.08	9.45	1.06	4.61	5.50
1	6.50	4.88	8.78	15.50	10.86	1.10	4.94	5.50
1 1/2	7.48	6.14	11.42	18.43	12.20	1.57	5.37	5.50
2	8.50	6.50	11.92	19.22	14.41	1.57	5.08	5.50
3	11.13	8.27	14.06	21.32	15.27	2.12	5.35	5.50
4	12.00	10.00	18.45	26.32	22.16	1.93	5.96	5.50
6	15.87	12.50	21.14	28.73	22.16	1.93	5.96	5.50
All dimensions in inches								
ANSI CLASS 300								

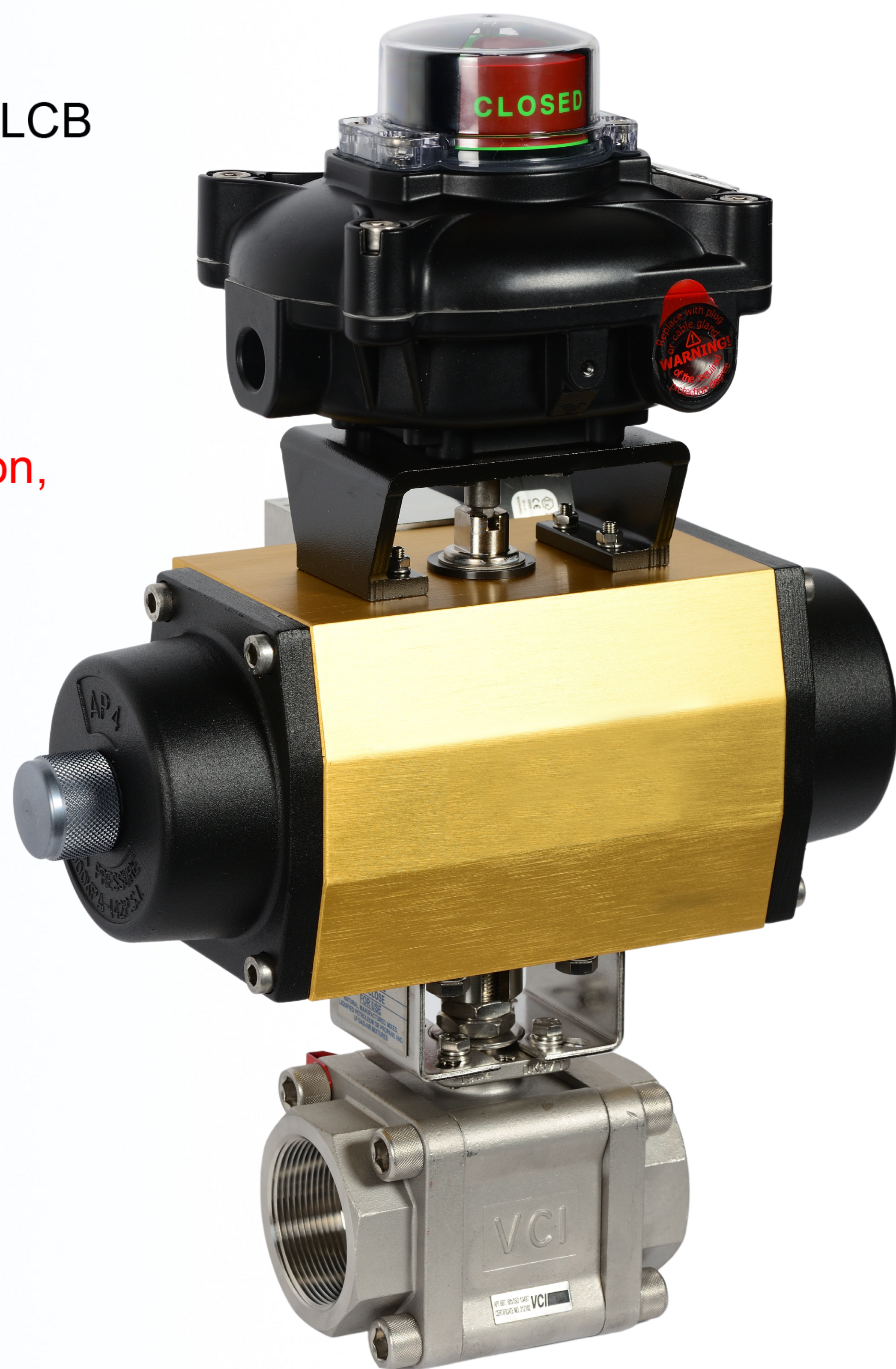


VCI® Series 201F Actuated Units

- **CSA and FM Certified for -40°C to +65°C (-40°F to +149°F)**
- Valves Sizes ¼" to 2"
- Certified to 600 WOG, Rated to 1,500 WOG
- 3-Piece Body, Regular & Full Port
- Available in A351-CF8M, A216-WCB, and A352-LCC/LCB
- ISO 5211 Neck-pad
- Available in threaded, socket-weld, or butt-weld ends
- Blow-out proof stem & Adjustable stem packing
- Live loaded seats
- Bi Directional & Uni Directional
- **Fire Safe Certified, ANSI/API Standard 607, 6th Edition, 2010. ISO 10497-2010**
- **SIL 3 Certified by 3rd party organization: FSES**

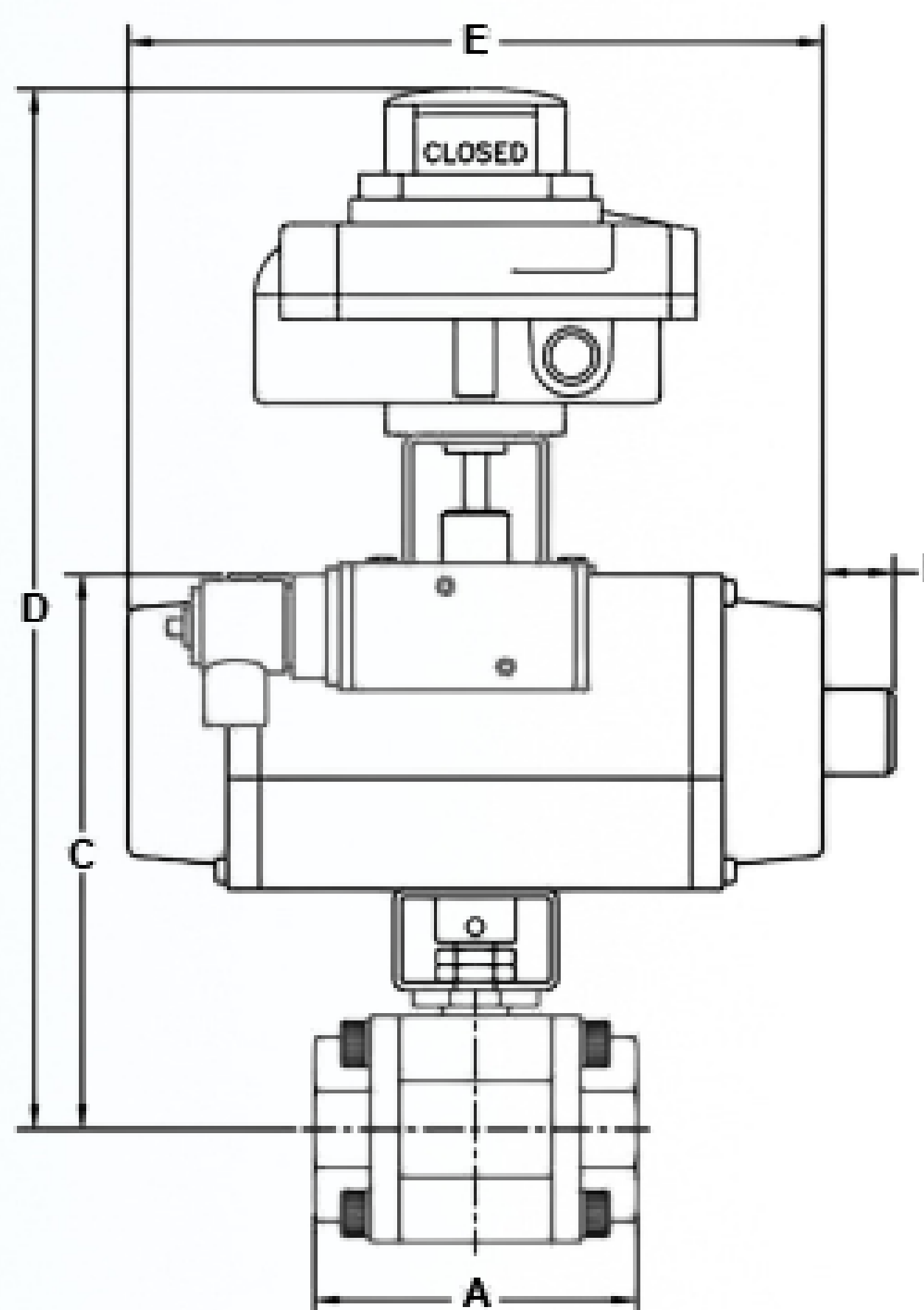
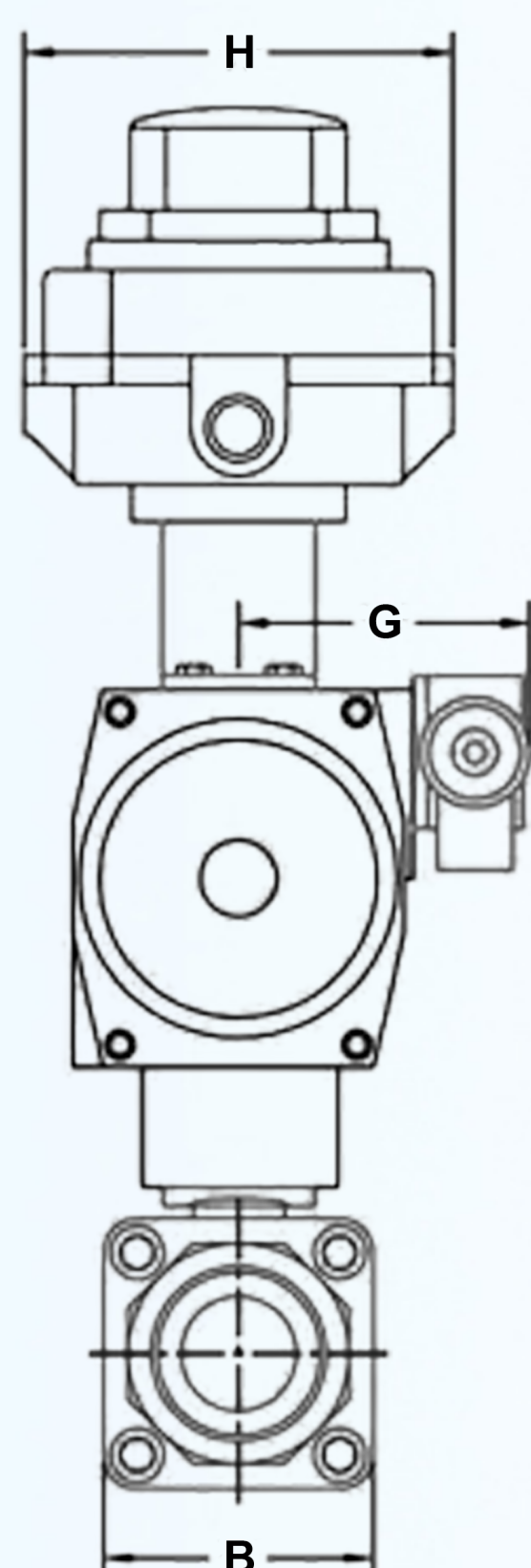
Manufactured & Tested to:

A.S.M.E. / ANSI B16.5, B16.34; MSS SP-72, API 608;
N.A.C.E. MR 0715; API 6D, API-598



Dimensions - Series 201F								
Valve Size	A	B	C	D	E	F	G	H
1/4	2.720	1.800	5.925	9.195	6.100	0.630	5.412	6.891
3/8	2.720	1.800	5.925	9.195	6.100	0.630	5.412	6.891
1/2	2.720	1.800	5.925	9.195	6.100	0.630	5.412	6.891
3/4	2.040	2.090	6.100	13.665	6.100	0.630	5.412	6.891
1	3.500	2.350	7.110	14.675	8.380	1.063	5.600	6.891
1 1/4	3.900	2.900	7.687	15.250	9.290	1.260	3.615	6.891
1 1/2	4.420	3.100	7.842	15.405	9.290	1.260	3.615	6.891
2	5.040	3.500	8.662	16.225	10.866	1.100	3.815	6.891

All dimensions in inches



VCI[®] Series F100 Actuated Units

- **FM Certified for -29°C to +65°C (-20°F to +149°F)**
- Valve Sizes: 4", 6" & 8", Class 150# & 300# A.N.S.I.
- Certified to 285 WOG
- 1 piece body design, Reduced Port
- Available in A351-CF8M, A216-WCB, and A352-LCC/LCI
- I.S.O. Neck Pad
- RF, Flanged Ends
- Blowout-proof stem & Adjustable stem packing
- Live loaded seats & stem seal
- Bi Directional & Uni Directional
- **Fire Safe Certified, ANSI/API Standard 607, 6th Edition, 2010. ISO 10497-2010**
- **SIL 3 Certified by 3rd party organization: FSES**

Manufactured & Tested to:

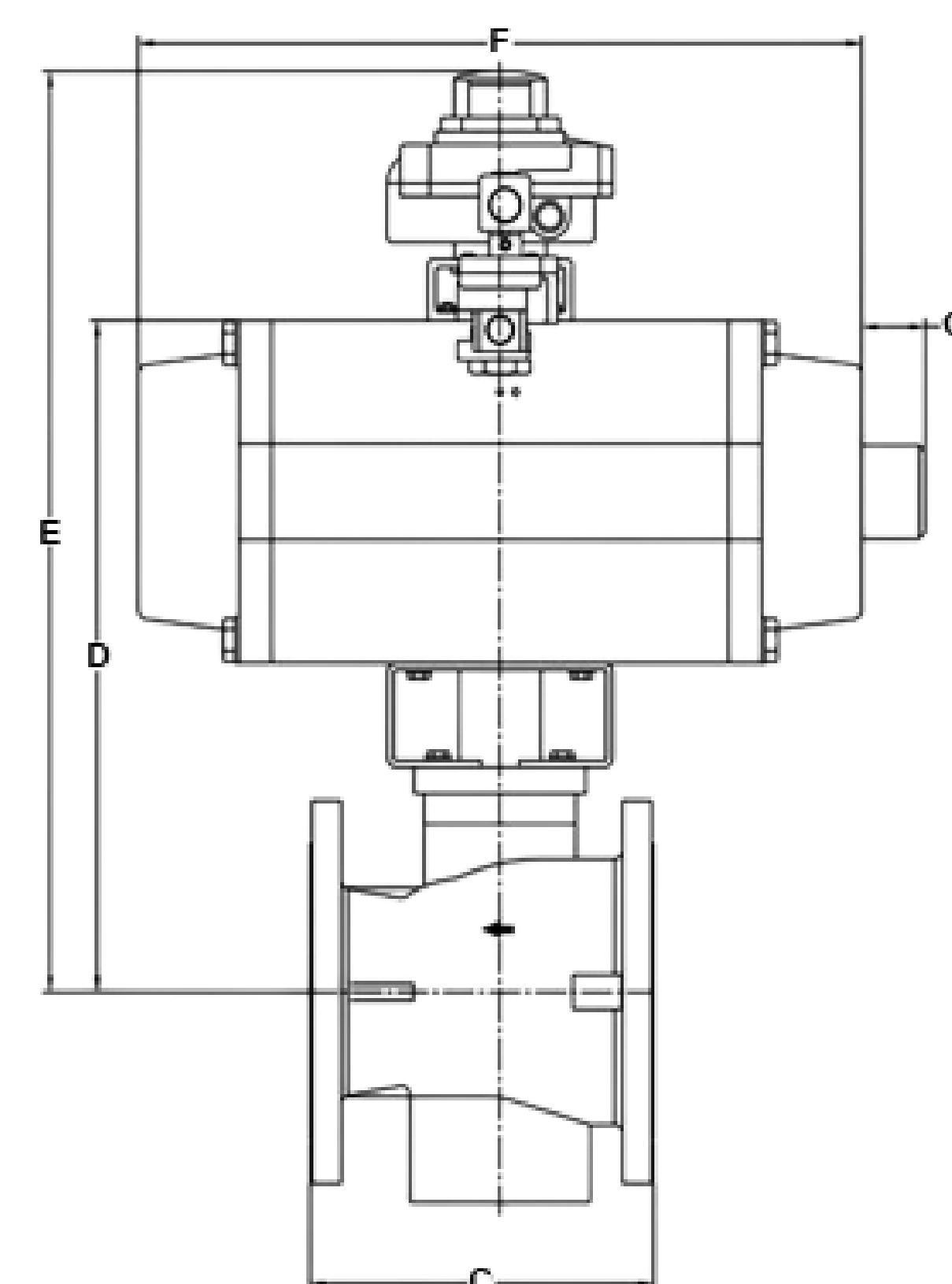
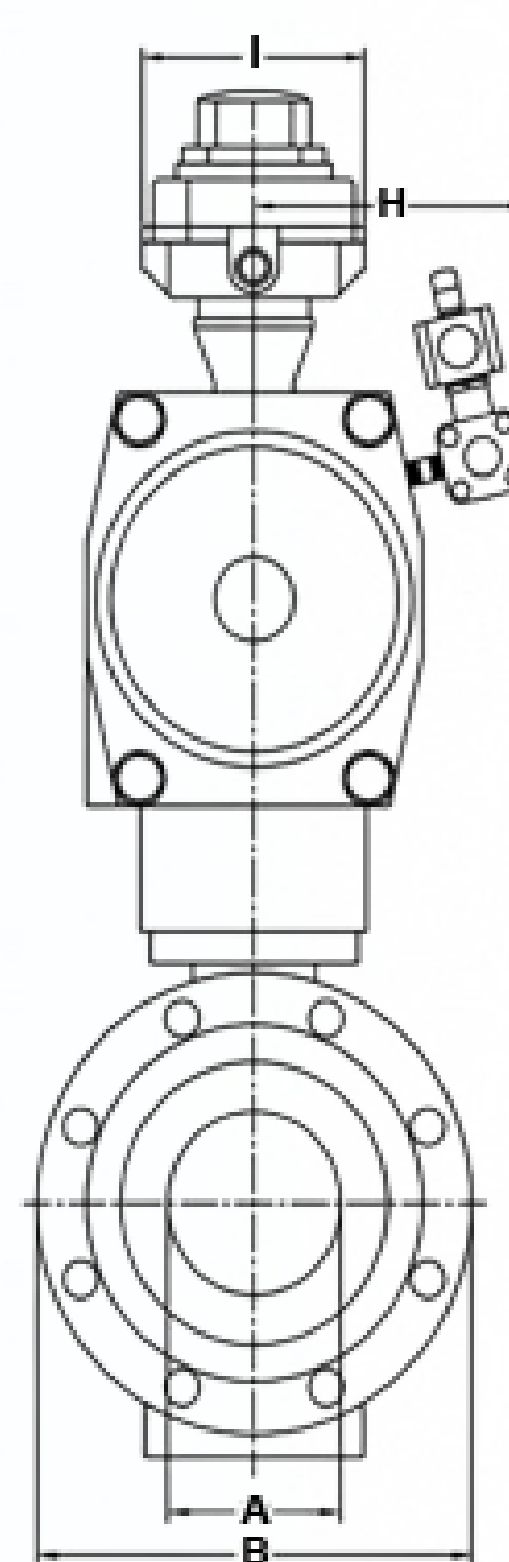
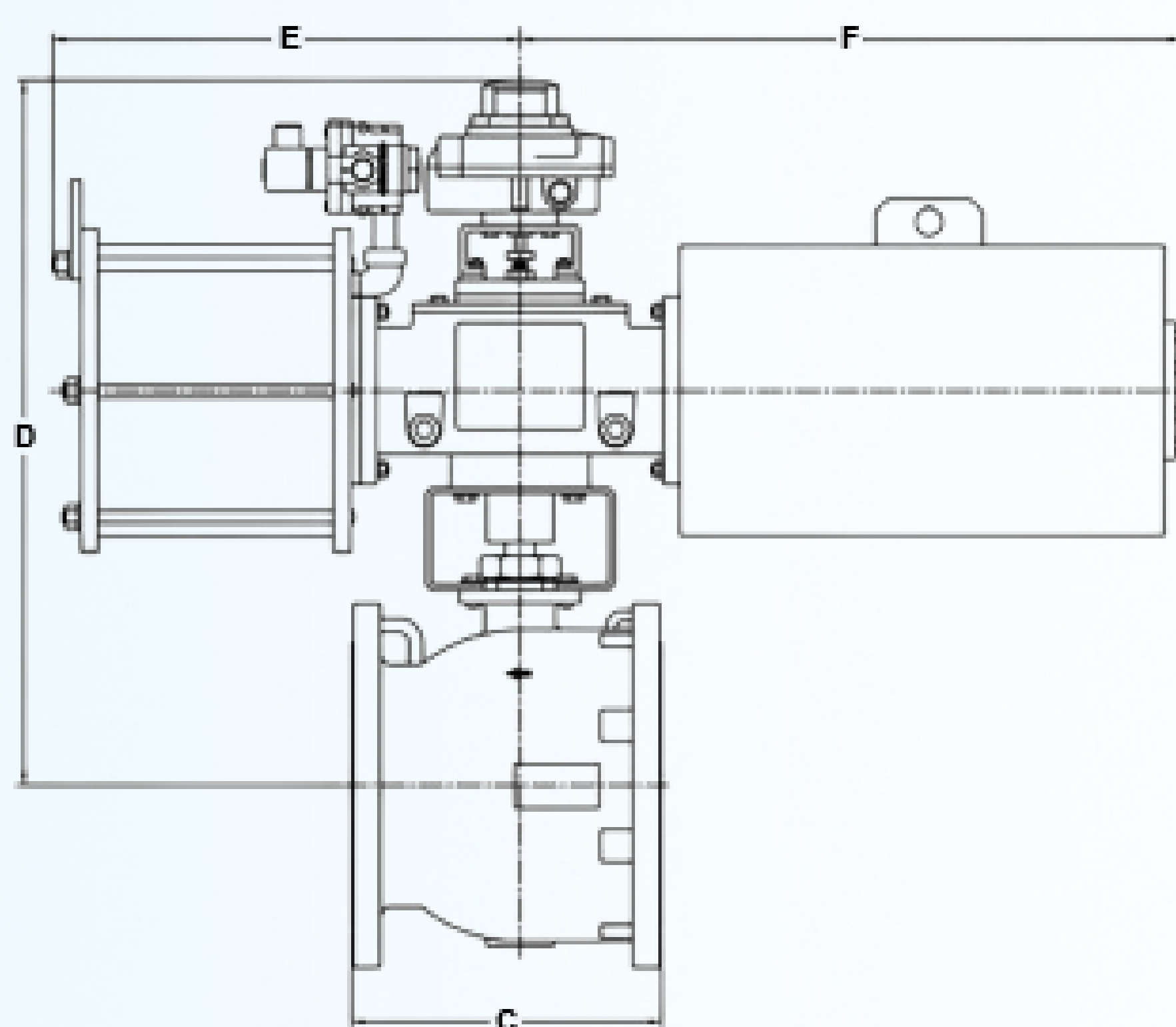
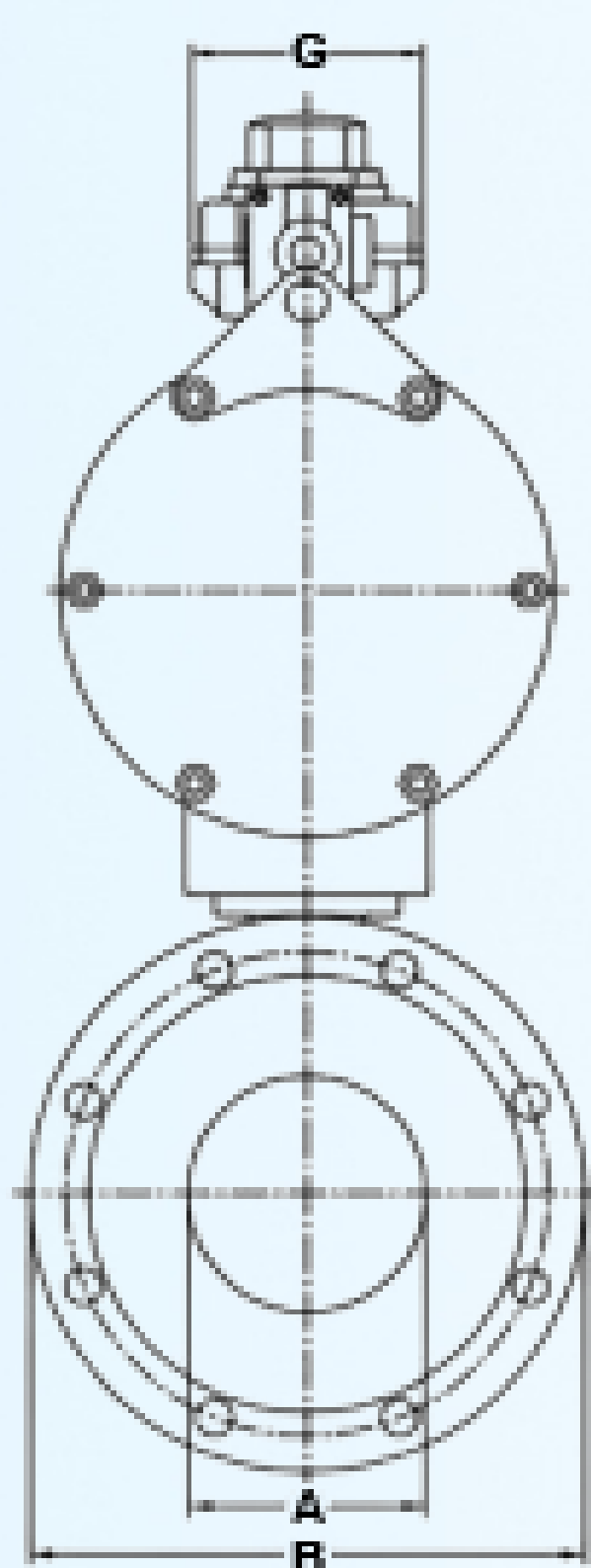
A.S.M.E. / ANSI B16.5, B16.34; MSS SP-72, API 608:

N.A.C.E. MR 0715; API 6D, API-598



Dimensions - Series F100									
Valve Size	A	B	C	D	E	F	G	H	I
4	3.000	9.000	9.000	15.720	23.410	18.250	1.350	5.466	5.605
6	4.375	11.000	10.500	19.290	27.660	22.165	2.115	7.375	5.605
8	5.688	13.500	11.500	26.000	17.377	24.575	5.605	N/A	N/A

All dimensions in inches





Series 260 Actuated Units

- CSA Certified for -45°C (-49°F) to +65°C (+149°F)
- FM Global Approved for -40°C (-40°F) to +65°C (+149°F)
- Manual valves CSA certified to temperature range of -40°C (-40°F)
- Valve Sizes ½" to 2"
- Certified to 175 WOG
- 2-Piece body, Regular Port
- Available in A351-CF8M
- ISO 5211 Neck Pad
- NPT end connections only
- Blow-out proof stem & Adjustable stem packing
- Live loaded seats and stem packing
- Uni-Directional
- **Firesafe design**

Manufactured & Tested to:

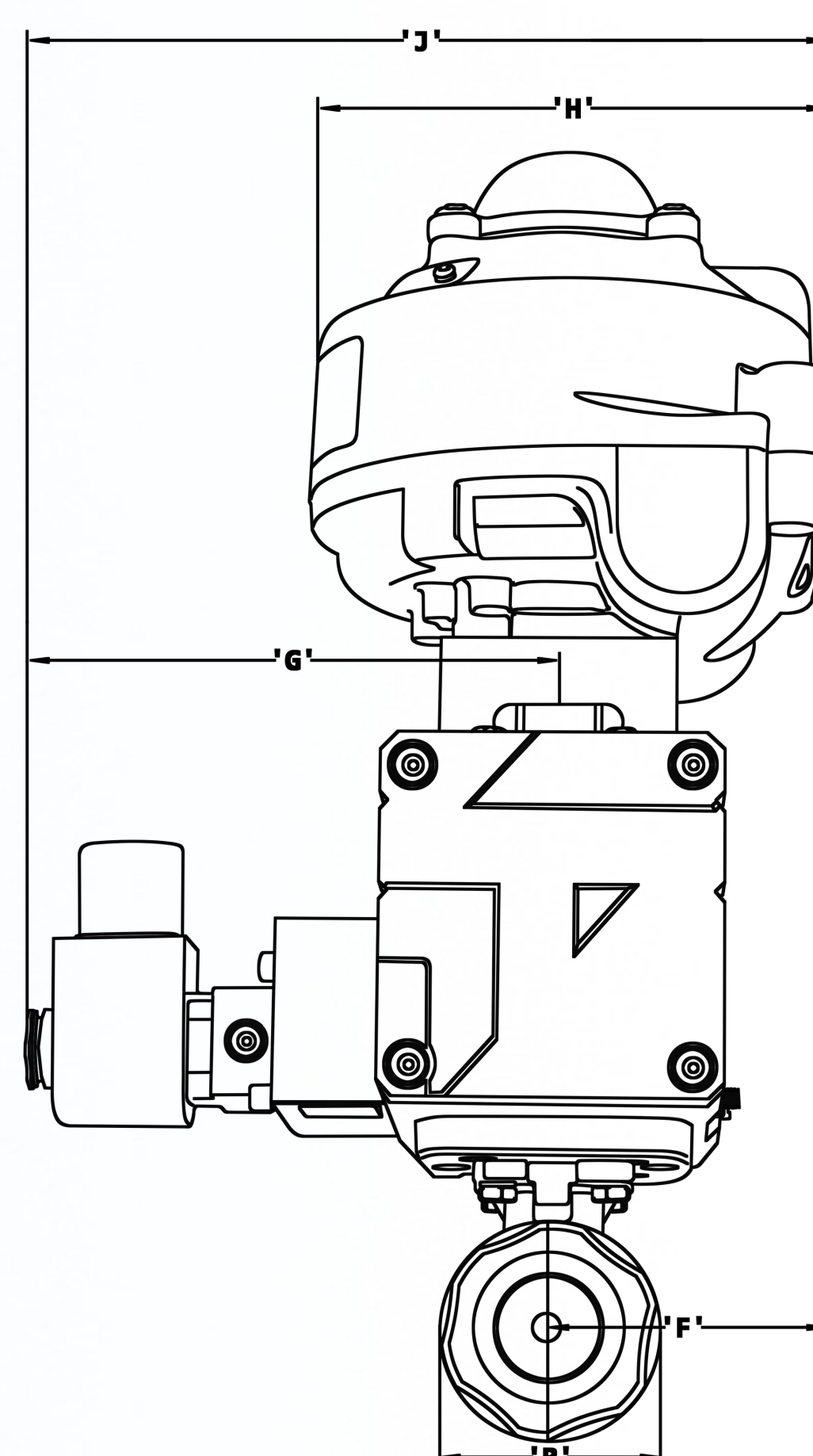
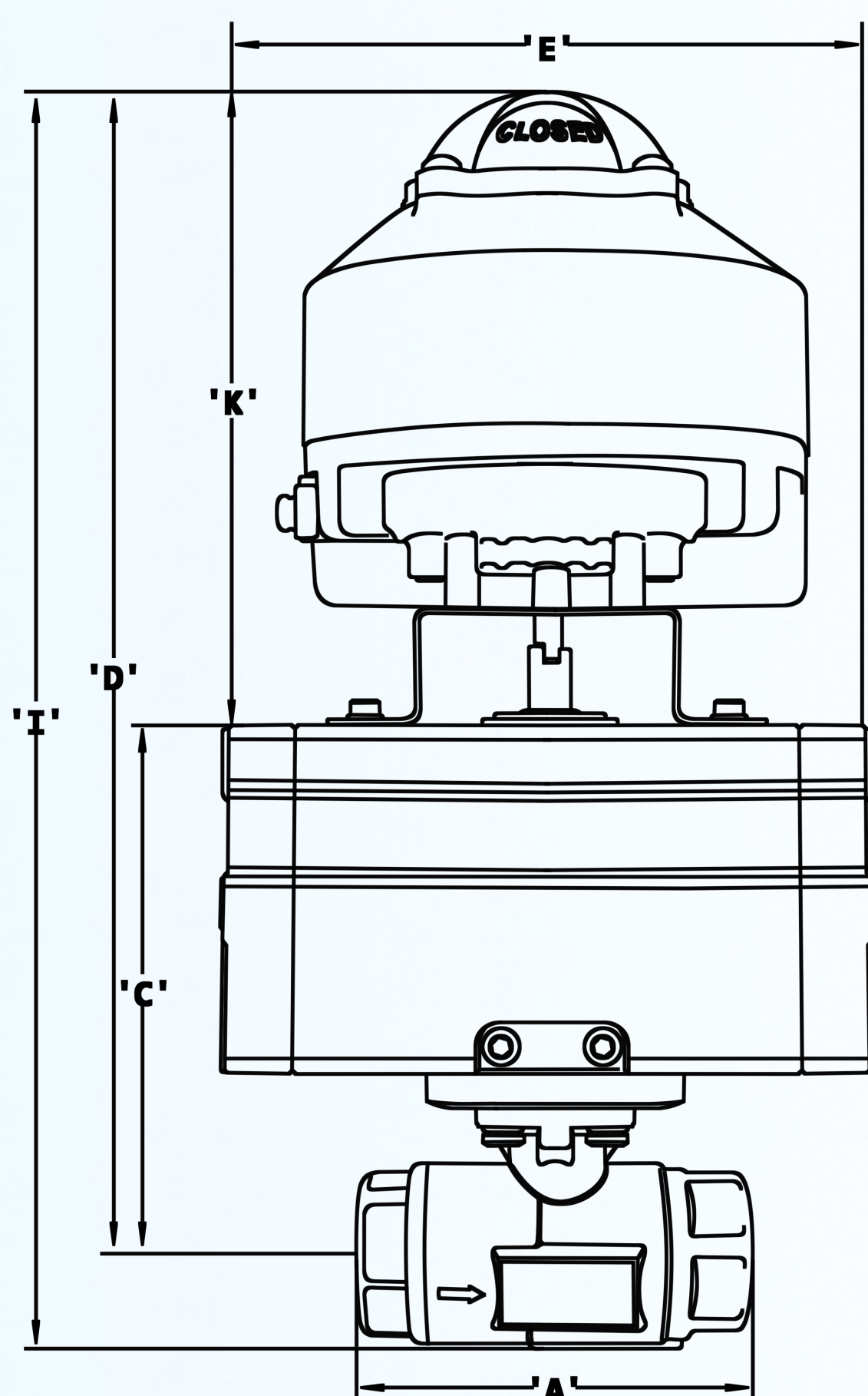
A.S.M.E. / ANSI B16.5, B16.34; MSS SP-72, API 608;

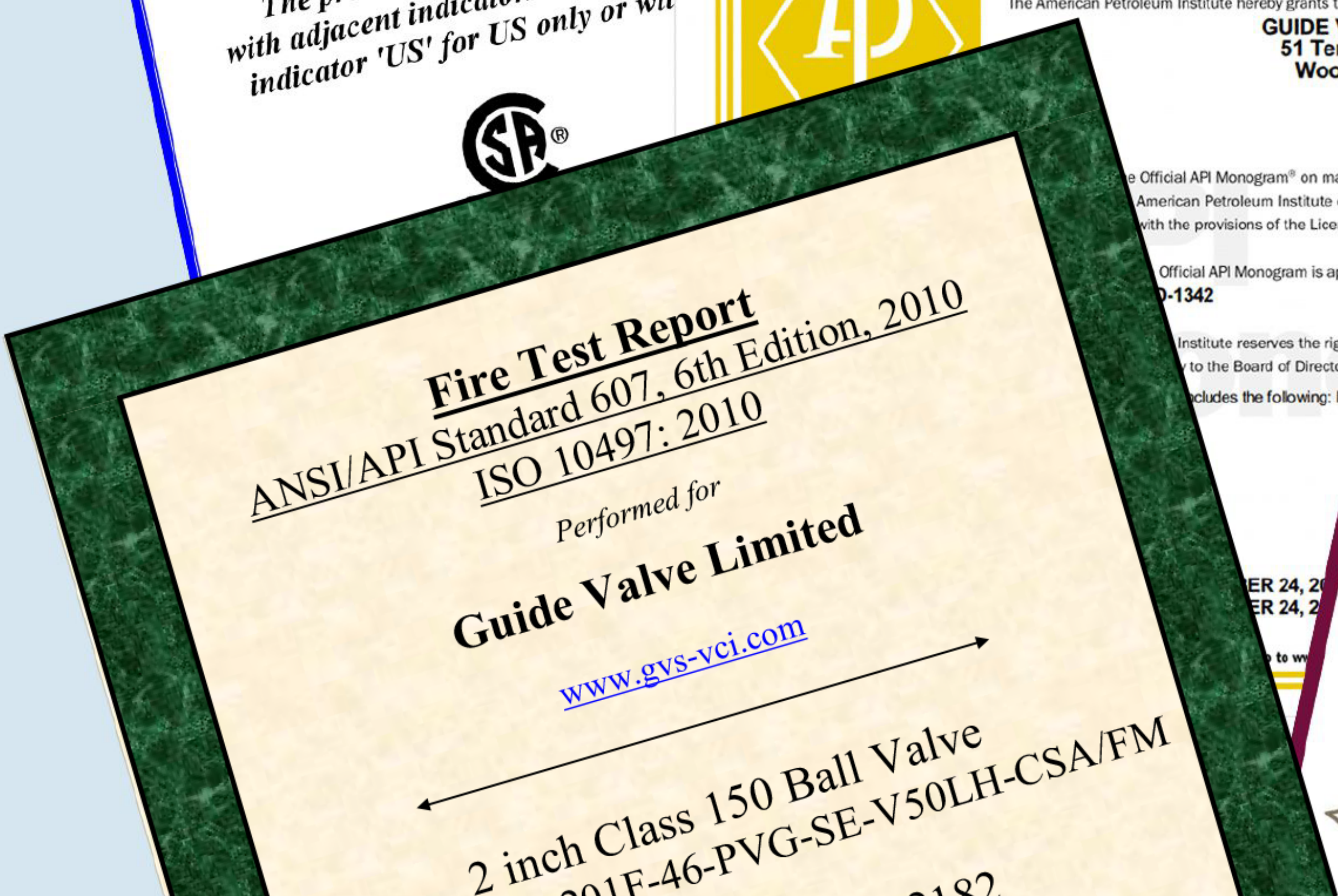
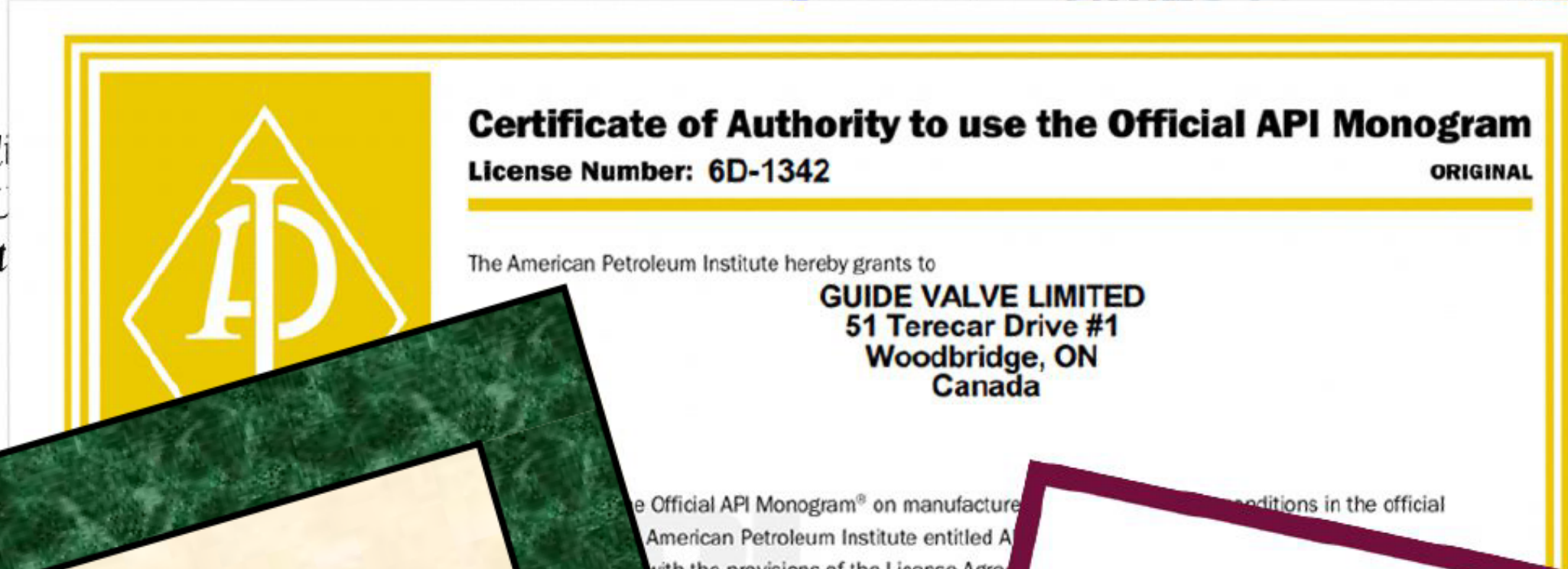
N.A.C.E. MR 0715; API 6D, API-598



Dimensions - Series 260											
Valve size	A	B	C	D	E	F	G	H	I	J	K
1/2	2.795	1.378	4.870	10.827	5.906	2.421	4.862	4.724	11.496	7.280	5.957
3/4	3.220	1.406	4.961	10.945	5.906	2.421	4.862	4.724	11.575	7.276	5.957
1	3.551	1.929	5.039	10.996	5.906	2.421	4.862	4.724	11.890	7.276	5.957
1/2	4.232	2.776	6.370	12.323	7.370	2.421	4.409	4.724	13.780	6.807	5.957
2	4.921	3.150	8.071	14.043	8.039	2.421	4.921	4.724	20.079	7.343	5.957

All dimensions in inches





Guide Valve Limited

51 Terecar Dr., Unit 1
Woodbridge, ON CANADA L4L 0B5
Tel: 905-761-7877
Fax: 905-761-7917

Guide Valve USA Limited

950 Echo Lane, Suite 200
Houston, Texas. USA. 77024

www.gvs-vci.com

sales@gvs-vci.com

Toll Free: 1-888-824-5693

Distributor / Agent: