

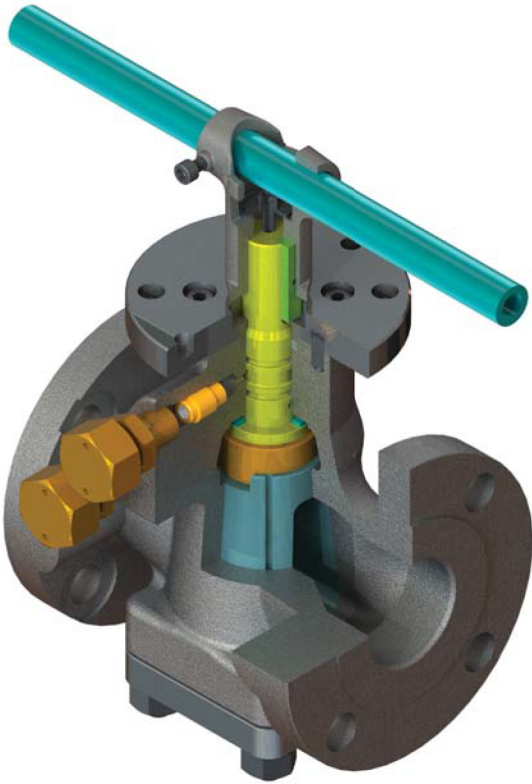
GUIDE VALVE LIMITED

GVS® Pressure Balanced Lubricated Plug Valves

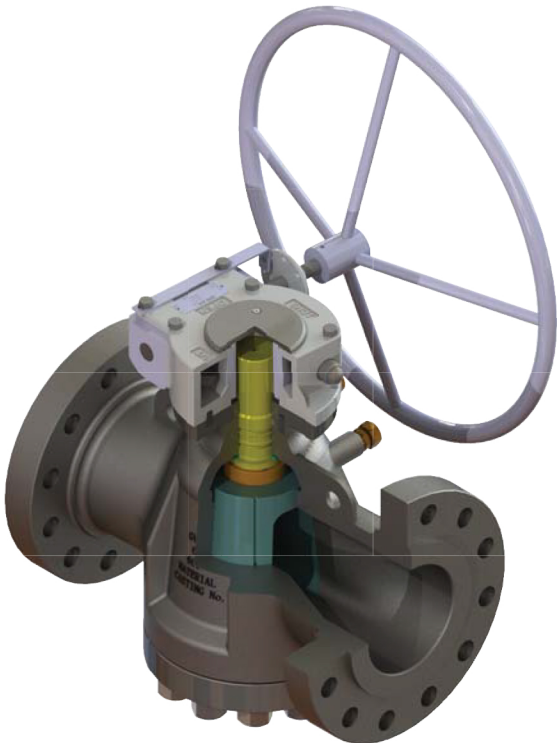
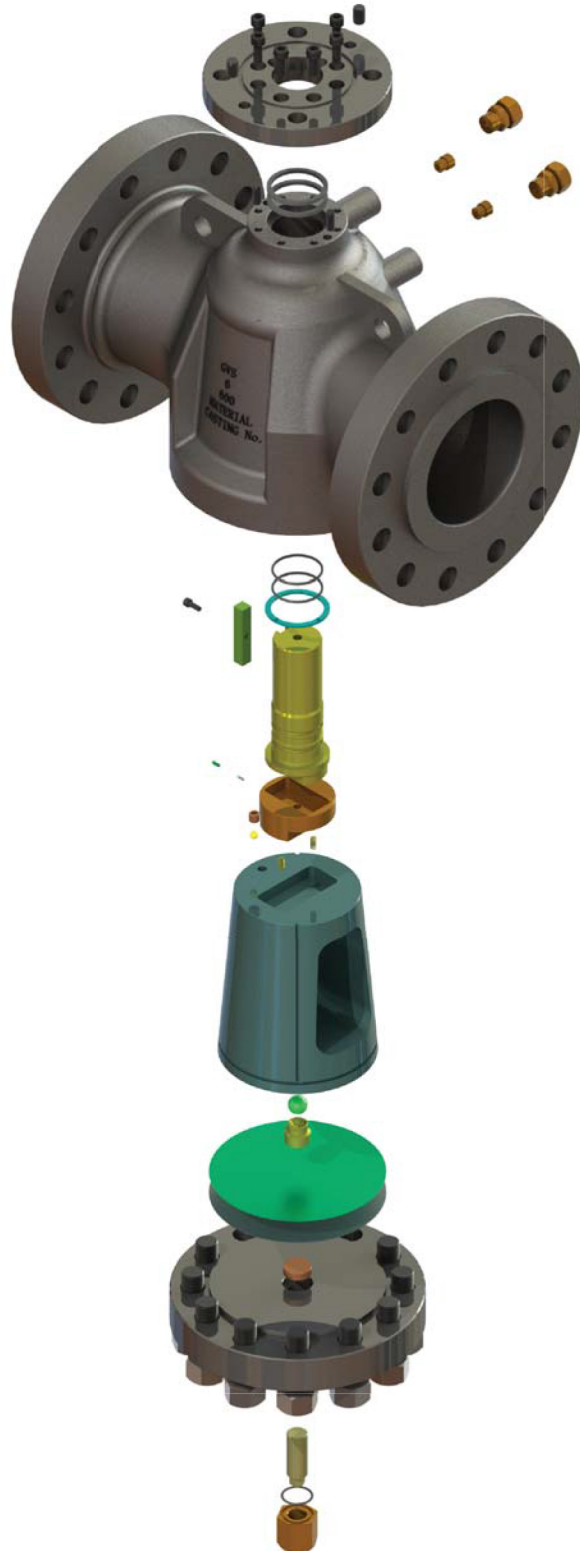




PRODUCT SERIES
PRESSURE BALANCED LUBRICATED PLUG VALVES



Model **P1** - Short Pattern



Model **P1** - Regular & Venturi Pattern



P1 - SHORT & VENTURI PATTERN - DIMENSIONS

Short Pattern

ANSI 150

VALVE SIZE	MIN BORE SIZE		WEIGHT				
	RF	RTJ	BW	RF/RTJ	BW		
NPS	B	PORT	A			RF/RTJ	BW
inch	mm	%	mm	mm	mm	kg	kg
2*	51	80%	178	191	267	17	15.5
3*	76.2	70%	203	216	330	27	23
4	102	80%	229	241	356	57	50
6	152.4	45%	267	279	457	67	54
8	203.2	40%	292	305	521	108	80
10	254	40%	330	343	559	210	185
12	305	40%	356	368	635	330	295

ANSI 300

VALVE SIZE	MIN BORE SIZE		WEIGHT				
	RF	RTJ	BW	RF/RTJ	BW		
NPS	B	PORT	A			RF/RTJ	BW
inch	mm	%	mm	mm	mm	kg	kg
2*	51	80%	216	232	267	20	17
3*	76.2	70%	283	298	330	38	32
4	102	80%	305	321	356	75	62
6	152.4	45%	403	419	457	118	98
8	203.2	40%	419	435	521	180	148
10	254	40%	457	473	559	270	220
12	305	40%	502	518	635	390	320

* Lever operated.

Venturi Pattern

ANSI 150

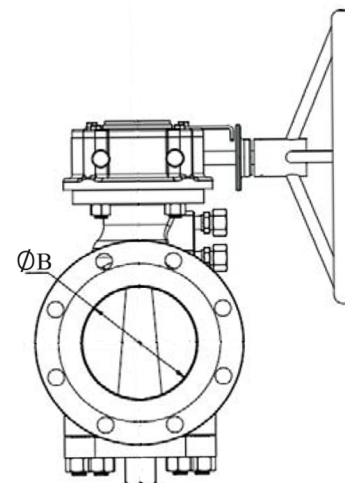
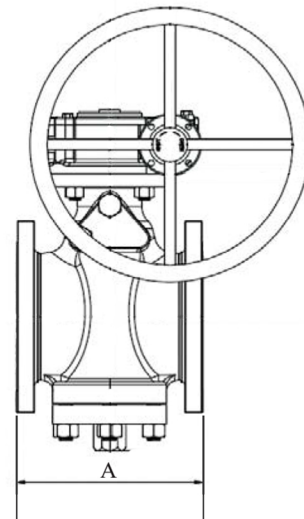
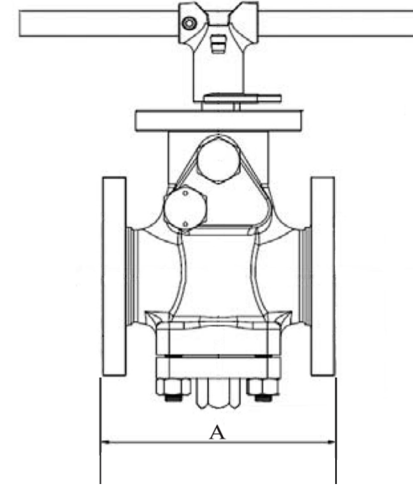
VALVE SIZE	MIN BORE SIZE		WEIGHT				
	RF	RTJ	BW	RF/RTJ	BW		
NPS	B	PORT	A			RF/RTJ	BW
inch	mm	%	mm	mm	mm	kg	kg
16	387.4	40%	762	775	762	720	630
20	489	40%	914	927	914	1100	960
24	591	40%	1067	1080	1067	1800	1650
30	737	40%	1295	1308	1295	3200	2820

ANSI 300

VALVE SIZE	MIN BORE SIZE		WEIGHT				
	RF	RTJ	BW	RF/RTJ	BW		
NPS	B	PORT	A			RF/RTJ	BW
inch	mm	%	mm	mm	mm	kg	kg
16	387.4	40%	838	854	838	800	665
20	489	40%	991	1010	991	1300	1150
24	591	40%	1143	1165	1143	2100	1900
30	737	40%	1397	1422	1397	4200	3400

ANSI 600

VALVE SIZE	MIN BORE SIZE		WEIGHT				
	RF	RTJ	BW	RF/RTJ	BW		
NPS	B	PORT	A			RF/RTJ	BW
inch	mm	%	mm	mm	mm	kg	kg
16	387.4	40%	991	994	991	1050	820
20	489	40%	1194	1200	1194	2000	1600
24	591	40%	1397	1407	1397	3200	2600
30	737	40%	1651	1664	1651	6100	5200



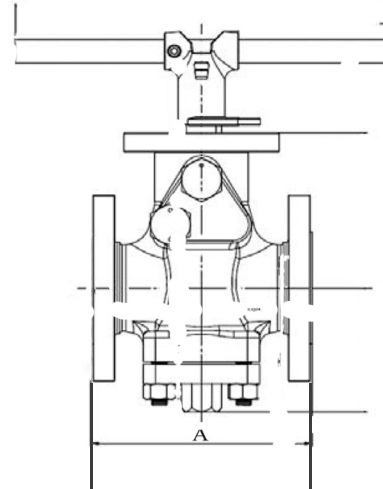


P1-REGULAR & VENTURI PATTERN-DIMENSIONS

Regular Pattern

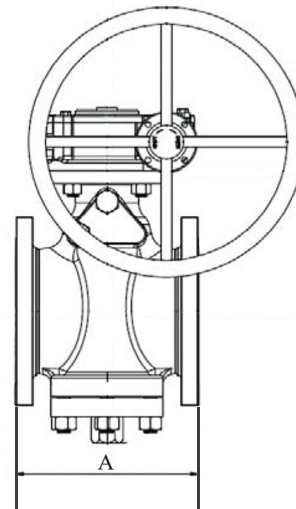
ANSI 600

VALVE SIZE	MIN BORE SIZE					WEIGHT	
	RF	RTJ	BW	RF/RTJ	BW		
NPS	B	PORT	A			RF/RTJ	BW
inch	mm	%	mm	mm	mm	kg	kg
2*	51	80%	292	295	292	28	22
3*	76.2	80%	356	359	356	54	45
4	102	80%	432	435	432	110	84
6	152.4	60%	559	562	559	220	170
8	203.2	60%	660	664	660	376	306
10	254	60%	787	791	787	620	505
12	305	60%	838	841	838	830	660
16	387.4	60%	991	994	991	1260	1030
20	489	60%	1194	1200	1194	2400	2000
24	591	60%	1397	1407	1397	3840	3240
30	737	60%	1651	1664	1651	7320	6420



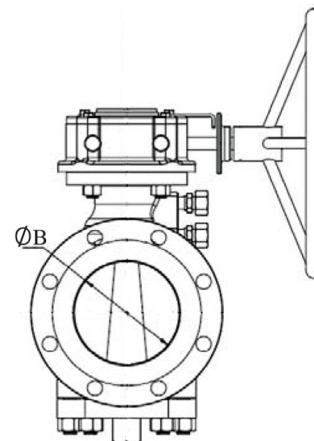
ANSI 900

VALVE SIZE	MIN BORE SIZE					WEIGHT	
	RF	RTJ	BW	RF/RTJ	BW		
NPS	B	PORT	A			RF/RTJ	BW
inch	mm	%	mm	mm	mm	kg	kg
2*	51	80%	368	371	368	48	34
3	76.2	80%	381	384	381	91	76
4	102	80%	457	460	457	187	167
6	152.4	60%	610	613	610	275	200
8	203.2	60%	737	740	737	470	384
10	254	60%	838	841	838	780	660
12	305	60%	965	968	965	1050	740
16	373.1	60%	1130	1140	1130	1590	1280
20	471.5	60%	1321	1334	1321	2370	1960
24	571.5	60%	1549	1568	1549	4720	4200



ANSI 1500

VALVE SIZE	MIN BORE SIZE					WEIGHT	
	RF	RTJ	BW	RF/RTJ	BW		
NPS	B	PORT	A			RF/RTJ	BW
inch	mm	%	mm	mm	mm	kg	kg
2*	51	80%	368	371	368	48	34
3	74.6	85%	470	473	470	92	70
4	100.0	85%	546	549	546	158	120
6	144.5	60%	705	711	705	316	260
8	192.4	60%	832	841	832	570	550
10	239.7	60%	991	1000	991	970	765
12	287.3	60%	1130	1146	1130	1630	1300
16	360.4	60%	1384	1407	1384	3080	2520
20	454	60%	1664	1686	-	3760	2750
24	546	60%	1943	1972	-	5480	3620



ANSI 2500

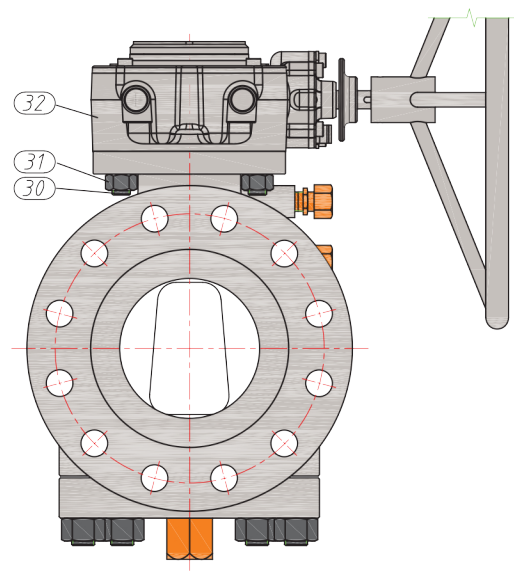
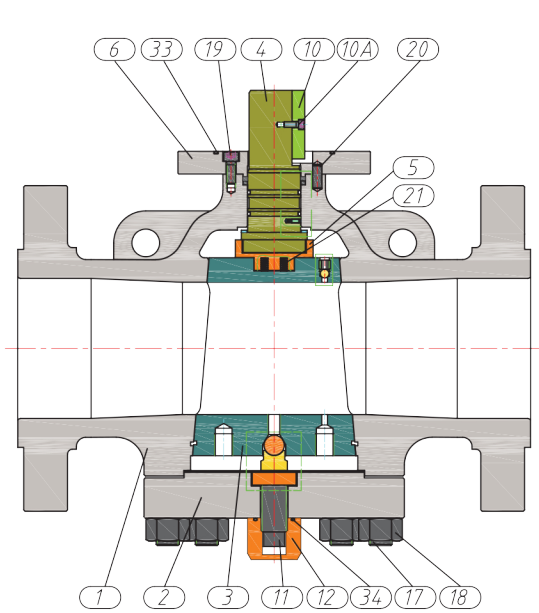
VALVE SIZE	MIN BORE SIZE		RF	RTJ	BW	WEIGHT	
2	43.0	60%	451	454	451	82	65
3	62.0	60%	578	584	578	160	105
4	87.3	60%	673	683	673	260	175
6	131.8	60%	914	927	914	640	470
8	179.4	60%	1022	1038	1022	1350	1045
10	223.8	60%	1270	1292	1270	2180	1620
12	265.1	60%	1422	1445	1422	3090	2240

* Lever operated.

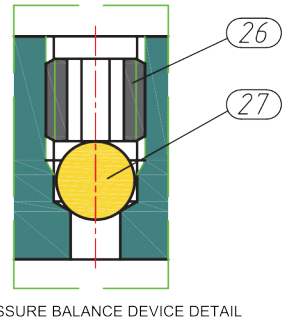
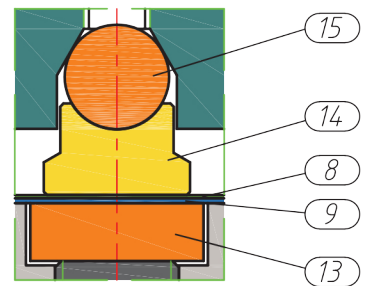
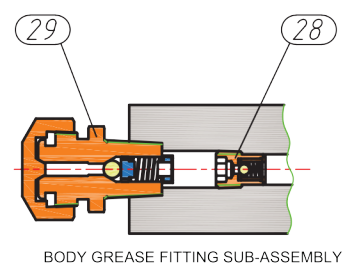
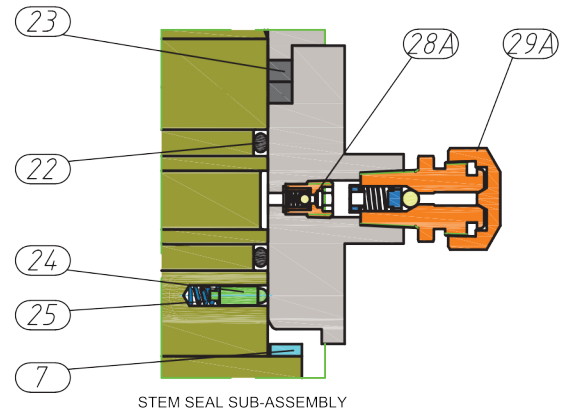
Additional Sizes Available



DESIGN FEATURES



Position	Part Description
1	Body
2	Cover
3	Plug
4	Stem
5	Equalizer
6	Top stop flange
7	Thrust washer
8	Upper seal disk
9	Lower seal disk
10	Key
10A	Capscrew
11	Loading screw
12	Loading screw cap
13	Bottom support
14	Lower support
15	Upper support ball
17	Body / cover stud
18	Body / cover nut
19	Top stop flange capscrew
20	Body / top stop flange dowel pin
21	Spring
22	Stem O-ring
23	Fire safe seal
24	Anti-static piston
25	Anti-static spring
26	Balance screw
27	Balance ball
28	Body inner check valve
28A	Stem inner check valve
29	Body grease fitting
29A	Stem grease fitting
30	Stem flange / gearbox stud
31	Stem flange / gearbox nut
32	Gearbox with handwheel (lockable)
33	Weather seal
34	Weather seal



FEATURES

- Design according to API 6D, API 599, and CSA Z245.15-17
- NACE MR0175 SOUR - Available
- Firesafe certified to ANSI / API 607, ISO 10497:2010 and API 6FA
- Anti-static devices
- Available in RF, RTJ and BW ends
- Pressure balancing device
- Centering adjustment device
- Anti-blow out stem design
- Stem emergency grease fitting
- Available in short, venturi and regular patterns

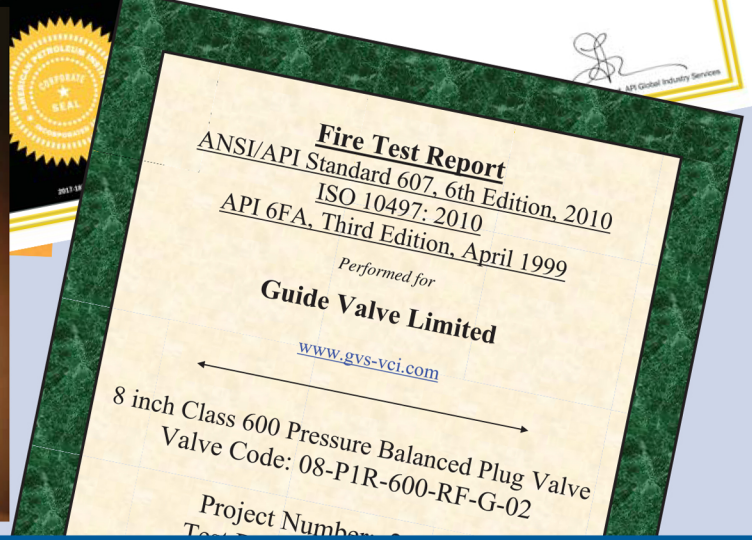
CANADA

API 6D: 6D-1342
 API 6A: 6A-2204
 API Spec Q1: Q1-4181
 ISO 9001 :2015: 0052985-01



CHINA

API 6D: 6D-1822
 API 6A: 6A-2250
 API Spec Q1: Q1-3641
 ISO 9001 :2015: ISO-3983



GUIDE VALVE LIMITED

51 Terecar Dr., Unit 1
 Woodbridge, ON CANADA L4L 0B5
 Tel: 905-761-7877
 Fax: 905-761-7917

www.gvs-vci.com

GUIDE VALVE USA LIMITED

950 Echo Ln, Suite 200
 Houston, Texas USA 77024

sales@gvs-vci.com

Toll Free: 1-888-824-5693

Distributor / Agent: