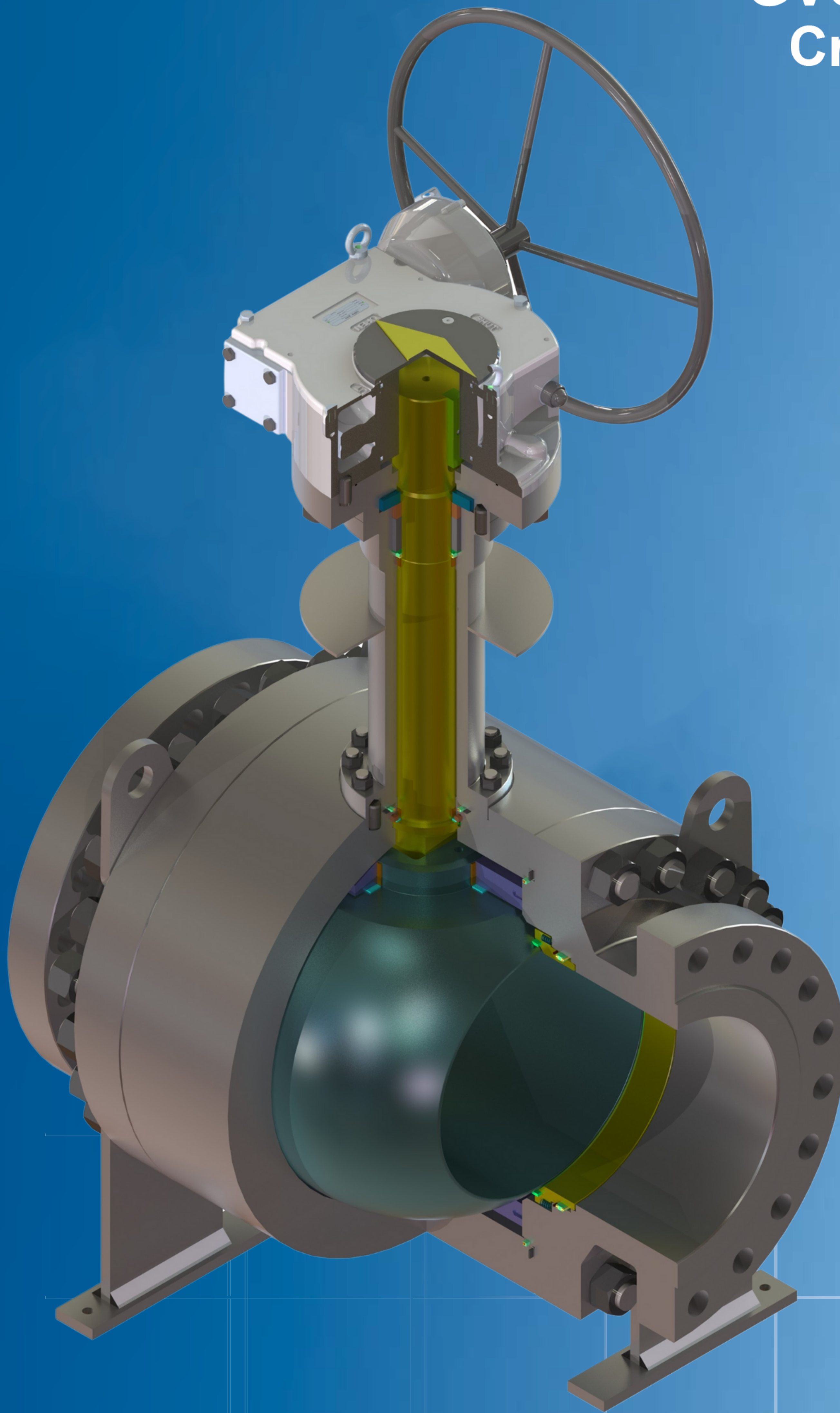


## GVS® Trunnion Mounted Cryogenic Ball Valves



## COMPANY PROFILE

Guide Valve Limited, established in 1980 with its headquarters in Ontario, Canada, specializes in the manufacturing of valves.

We are the manufacturer of the trademark brands such as, GVS<sup>®</sup>, VCI<sup>®</sup>, Lowe & GVS - Malema. Our products are based on the most advanced technologies and are used in all sectors from petrochemical refining, process to transportation and distribution of the end product.

GVS<sup>®</sup> valves are designed, manufactured & tested according to API 6D, API 6A, and CSA Z245.15 and are available to API 608. Our standard product design of Series CB & CGB are the trunnion mounted, bolted body, forged type ball valves, available in Double Piston Effect x Self Relieving Effect (DIB-2), and other options.



### CANADA



API 6D: 6D-1342

API 6A: 6A-2204

API Spec Q1: Q1-4181

ISO 9001:2015: 0052985-01



### CHINA



API 6D: 6D-1822

API 6A: 6A-2250

API Spec Q1: Q1-3641

ISO 9001: 2015: ISO - 3983



### USA

## CRYOGENIC TESTING & FEATURES

GVS® Series **CB** & **CGB** Cryogenic Ball Valves are designed, manufactured, and tested in accordance with API 6D, ASME B16.5, ASME B16.34, API 608, ASME B16.10, ISO 28921-1, BS 6364 and MSS-SP-134.



12" 600# ANSI Series CGB



18" 600# ANSI Series CGB

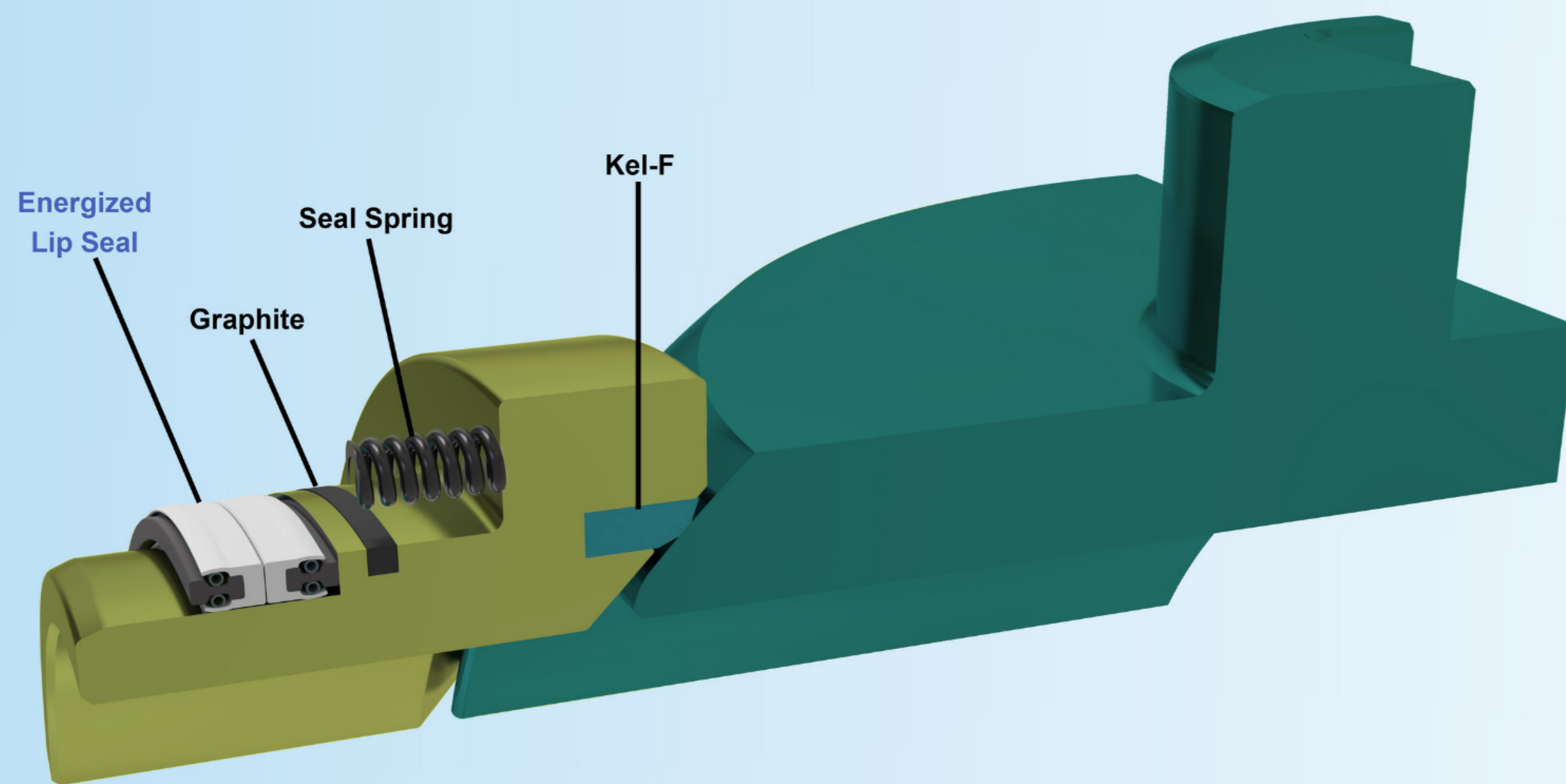


20" 600# ANSI Series CGB

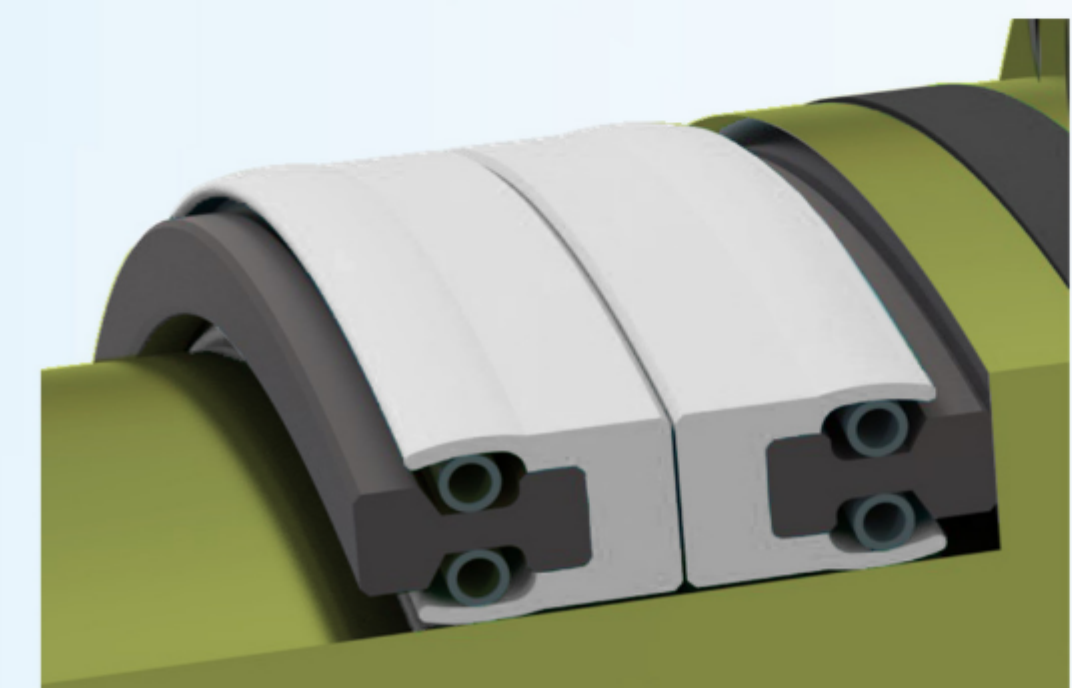
### Features:

- Bolted body type, 2 & 3-piece
- Trunnion mounted
- Double piston effect x Single piston effect seats
- Full and reduced port
- All forged stainless-steel components
- Anti-blow out stem
- Soft seated and Metal seated
- Anti-Static devices
- Fire-safe design
- API 6D & CSA Z245.15-17
- SIL 3 certified by 3rd party organization: FSES
- ANSI Class 150 to 2500#
- Sizes in 2" to 36"

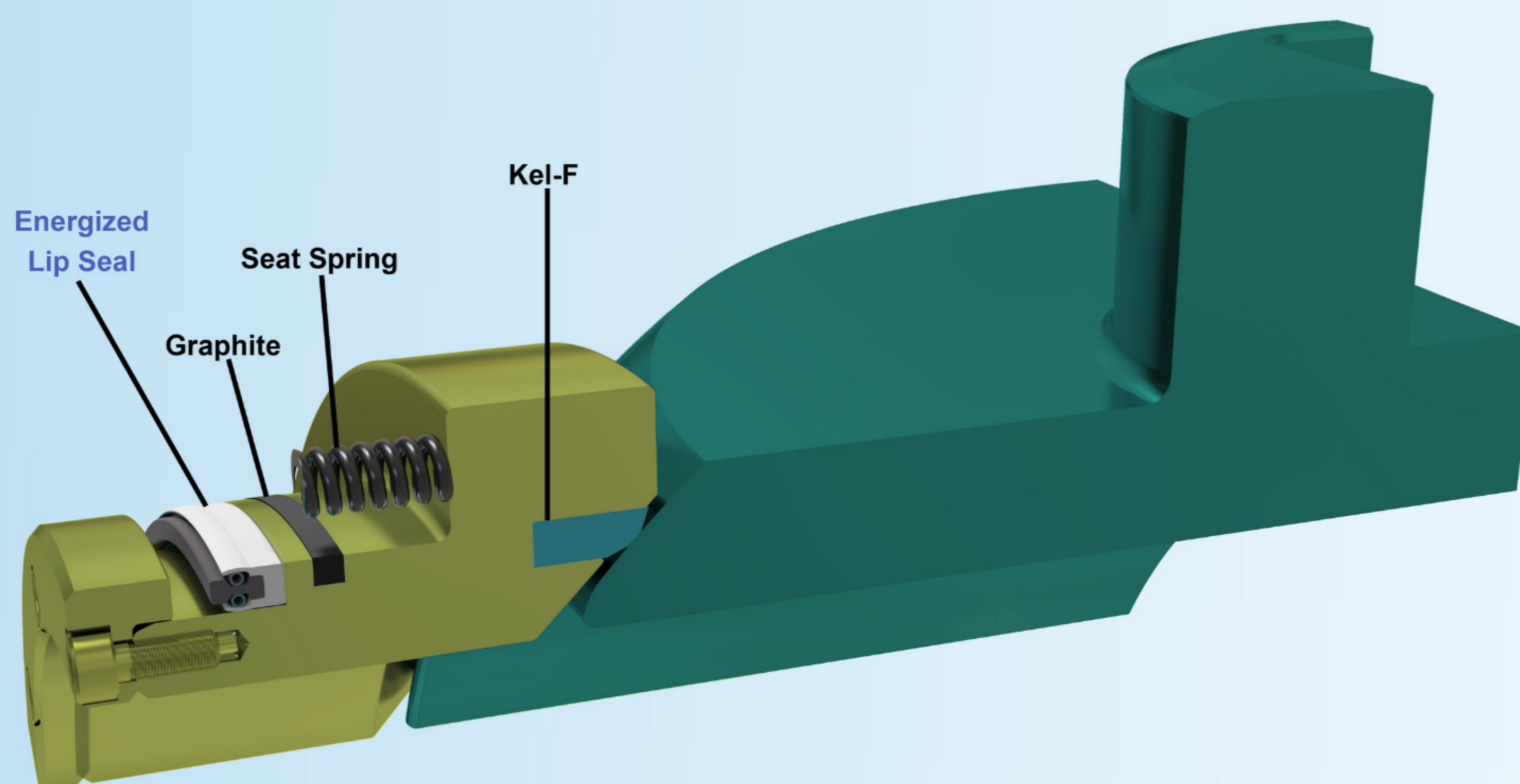
# CRYOGENIC SEAT DESIGN



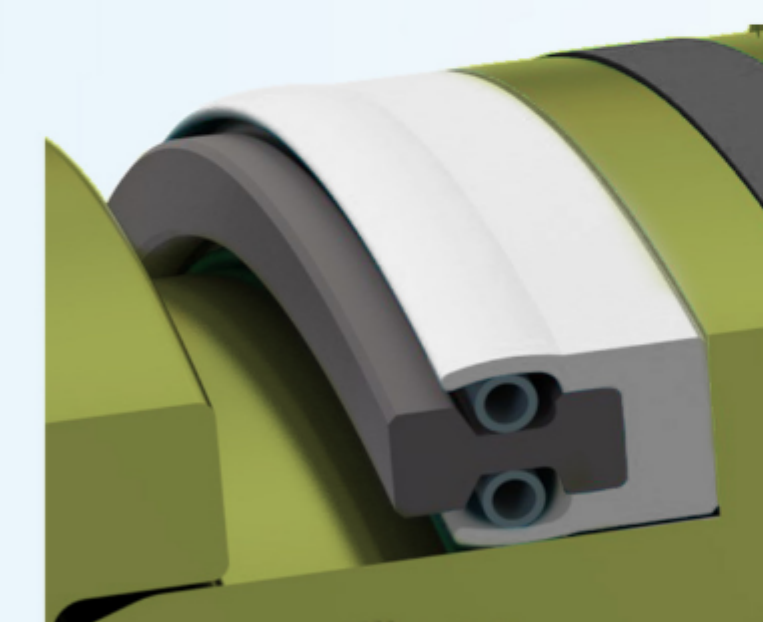
**Double Piston Effect**



**Energized Lip Seal**

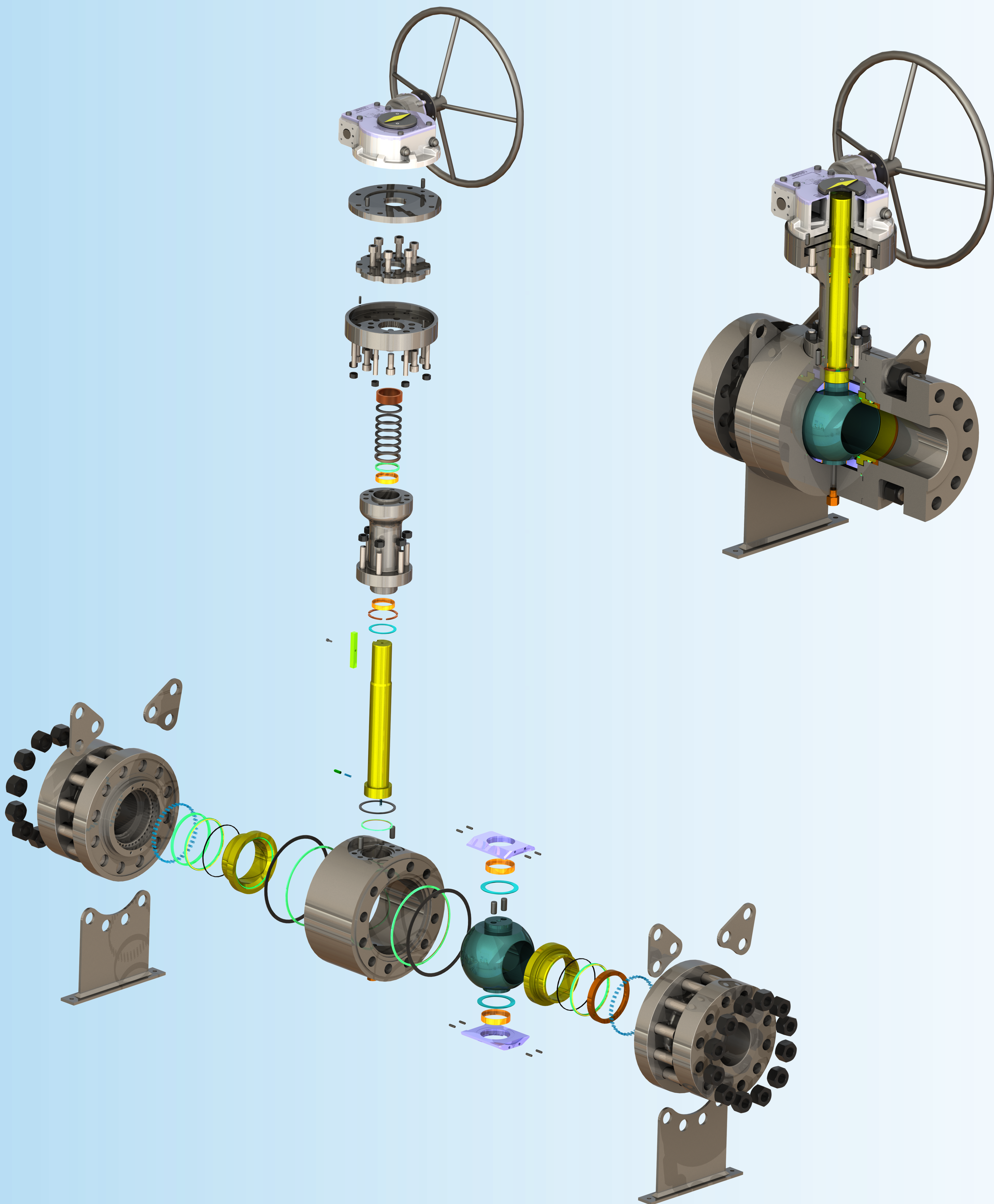


**Self Relieving Effect**



**Energized Lip Seal**

## MODEL CGB



**SIZES: 6" - 36" ANSI CLASS 150 - 1500# & SIZES: 2" - 24" ANSI CLASS 2500#**

• For technical data re: dimensions, valve torques, weights etc. please consult factory.

